



KITCHEN EQUIPMENT

SERVING THE FOOD INDUSTRY SINCE 1951

8-INCH BELT-DRIVEN SLICER

Item: 13607 Model: MS-IT-0195-S



**EXCELLENT, EASY-TO-USE SLICER
PERFECT FOR YOUR KITCHEN**

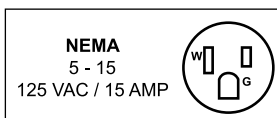
► Perfect for low volume operations

Omcan's 8-inch belt driven slicer offers exceptional cutting consistency and durability. Allows effortless cutting of deli meats and vegetables. Easy to disassemble for quick cleaning. Features a fixed blade sharpener.



WARRANTY

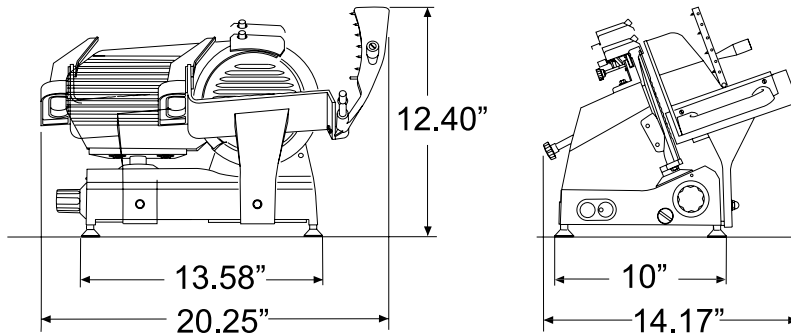
2 YEARS PARTS &
1 YEAR LABOR



Authorized Dealer

- Offers exceptional cutting consistency and durability
- Anodised aluminium alloy body
- High carbon steel blades are hard chromed, with a hollow ground taper for extended sharpening and blade life
- Carriage moves smoothly on ball bearings, allowing effortless cutting of deli meats and vegetables
- Fixed blade sharpener
- Easy to disassemble for quick cleaning

TECHNICAL DRAWINGS AND DIMENSIONS



PRODUCT DETAILS



Optional Accessory (Item sold separately)



Item 44264 - Fabric cover for 8" and 9" Blade Meat Slicers

ITEM NUMBER	13607
MODEL	MS-IT-0195-S
BLADE SIZE	8" / 195 mm
CUT THICKNESS	0 - 15 mm
POWER	0.20 HP / 0.15 kW
CHEESE SLICING*	□□□□
SLICING VOLUME*	<15 mins.
RPM	300
CUTTING SIZE	6.30" x 5.5" / 160.02 x 139.7 mm
ELECTRICAL	110V / 60Hz / 1Ph
NET WEIGHT	26 lbs. / 11.82 kg.
GROSS WEIGHT	27 lbs. / 12.27 kg
DIMENSIONS (DWH)	20.5" x 14.17" x 12.40" / 521 x 360 x 315 mm
PACKAGING DIMENSIONS	17" x 16" x 15" / 432 x 406.4 x 381 mm

*CHEESE SLICING RATINGS: □□□□ NOT RECOMMENDED → □□□□ POOR → □□□□ AVERAGE → □□□□ GOOD → □□□□ EXCELLENT →

Results may vary due to product consistency and temperature.



OMCAN INC.

Telephone: 1-800-465-0234
 Fax: (905) 607-0234
 Email: sales@omcan.com
 Website: www.omcan.com



Follow us to keep up to date with the latest news and offers

